



*Air Bearings Ltd*

**MM160  
MICRO-MACHINING SPINDLE**



**Air Bearings Ltd  
1 Witney Road  
Poole  
Dorset  
BH17 0GH  
United Kingdom  
+44 (0)1202 680 805  
sales@airbearings.co.uk**

**[www.airbearings.co.uk](http://www.airbearings.co.uk)**



121-EN-B © Air Bearings Ltd 2014 BRITAIN

# MM160 160k RPM MICRO-MACHINING SPINDLE

- SUPERIOR ACCURACY
- RANGE OF OPTIONS
- LOW MAINTENANCE
- HIGH LOAD CAPACITY

## Applications

Micro-machining of various materials such as glass, plastics, ceramics and metals.

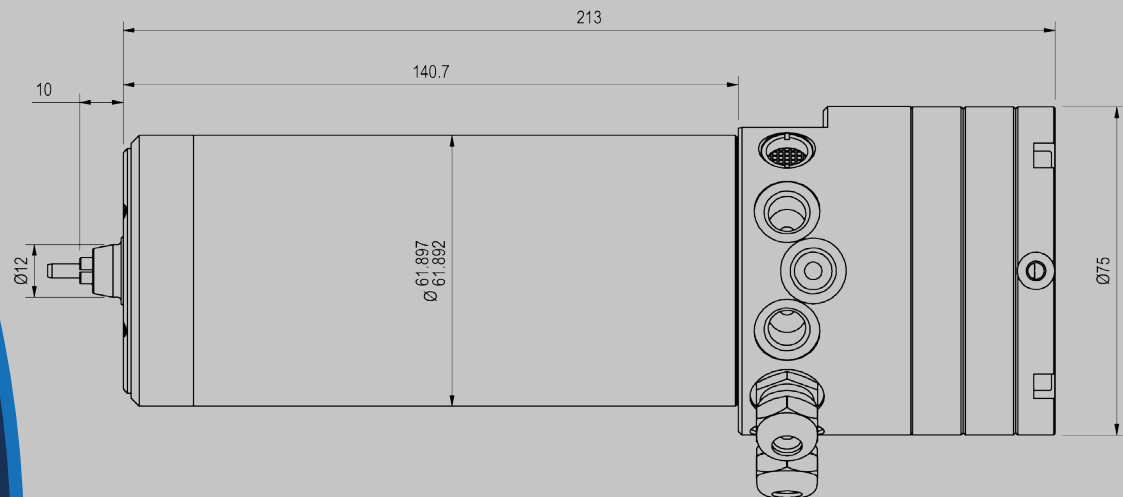
## Options

- Speed probe
- A variety of collet sizes available, including 3mm, 4mm and 1/8"
- Long and short nose versions
- Removable collets
- Range of fittings to suit customer requirements

Speed Range	15,000 – 160,000 RPM	Motor Power	0.5 kW
Air pressure	5.5 – 6.0 kgf/cm <sup>2</sup>	Radial Load Capacity (Static)	70 N
Air Flow Rate	32 - 38 NI/min	Axial Load Capacity (Static)	250 N
Coolant	Water	Dynamic Run Out*	<5 µm
Coolant Flow Rate	>1.5 l/min	Vibration at Front of Spindle	<1.5mm/s
Coolant Inlet Temp	15 – 19 °C	Collet Clamping Torque	>180 Ncm
Collet Sizes (Ø)	1/8", 3mm, 4mm	Spindle Mass	4.0 kg

For guidance only. ABL reserves the right to change specifications without notice

\* Measured 15mm from end of collet



ABL has been designing & manufacturing air bearing spindles since 1993. Situated on the south coast of England, ABL operates from a 4600m<sup>2</sup> purpose built facility.

For more information visit.....

[www.airbearings.co.uk](http://www.airbearings.co.uk)  
[sales@airbearings.co.uk](mailto:sales@airbearings.co.uk)